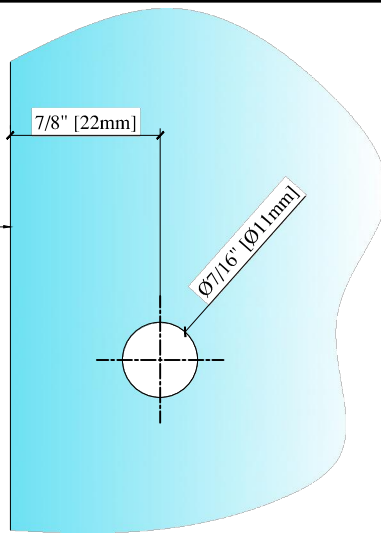
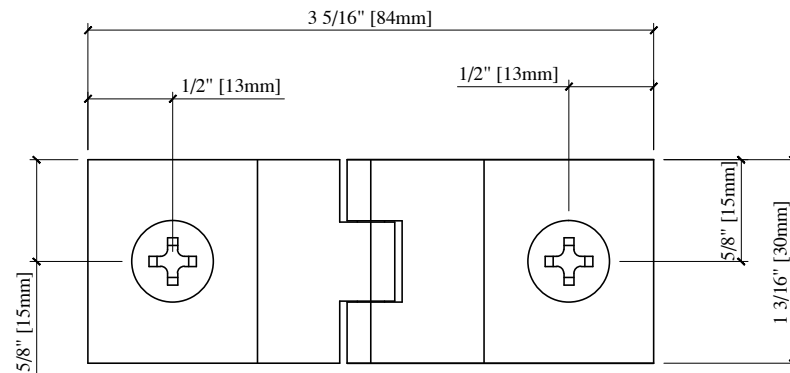
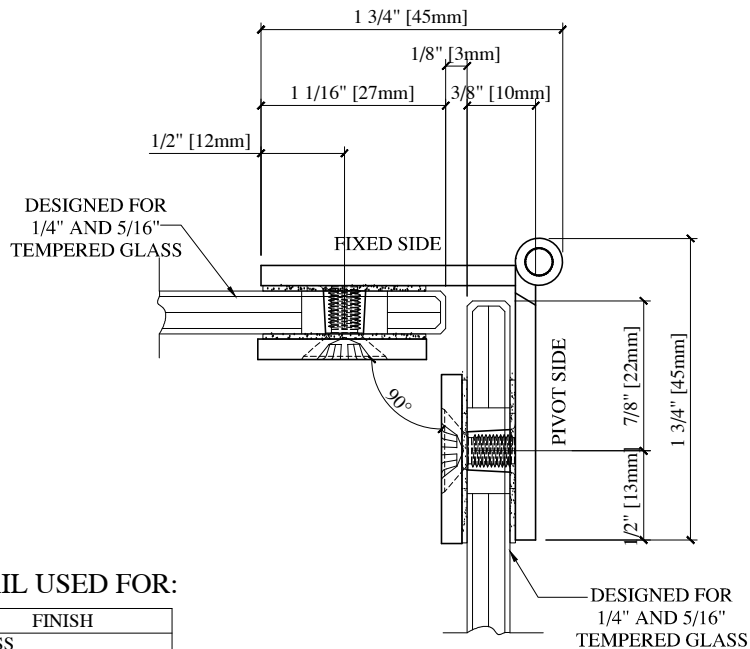
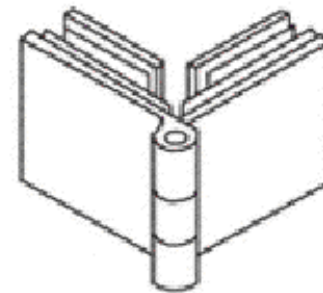


FIXED SIDE  
GLASS FABRICATION



PIVOT SIDE  
GLASS FABRICATION



90 DEG. CLAMP  
ASSEMBLY DETAIL USED FOR:

CATALOG NUMBER	FINISH
EH256	BRASS
EH258	CHROME

ALWAYS USE DIMENSIONS SHOWN ON THE PLAN.  
DO NOT SCALE OR DIMENSION ACTUAL DRAWING  
TO ENSURE ACCURACY



ARCHITECTURAL PRODUCTS  
PH: 800-421-6144 FX: 800-262-3299  
WWW.CRLAURENCE.COM

DESCRIPTION: GLASS-TO-GLASS 90 DEGREE RETURN HINGE

CAT. NO: (SEE CHART)	DATE: 10/29/08
FILE NAME: EH256&EH258	SCALE: N.T.S.
DRAWN BY: R.P.A.	CHECKED BY: C.H.
SHT 1 OF 1	